

# BATTERY-SPREADER SP 44 AS E-FORCE3

Part no.  
**1093703**



GRIP



PEELING



X-CHANGE



CHARGE



SPEED CONTROL

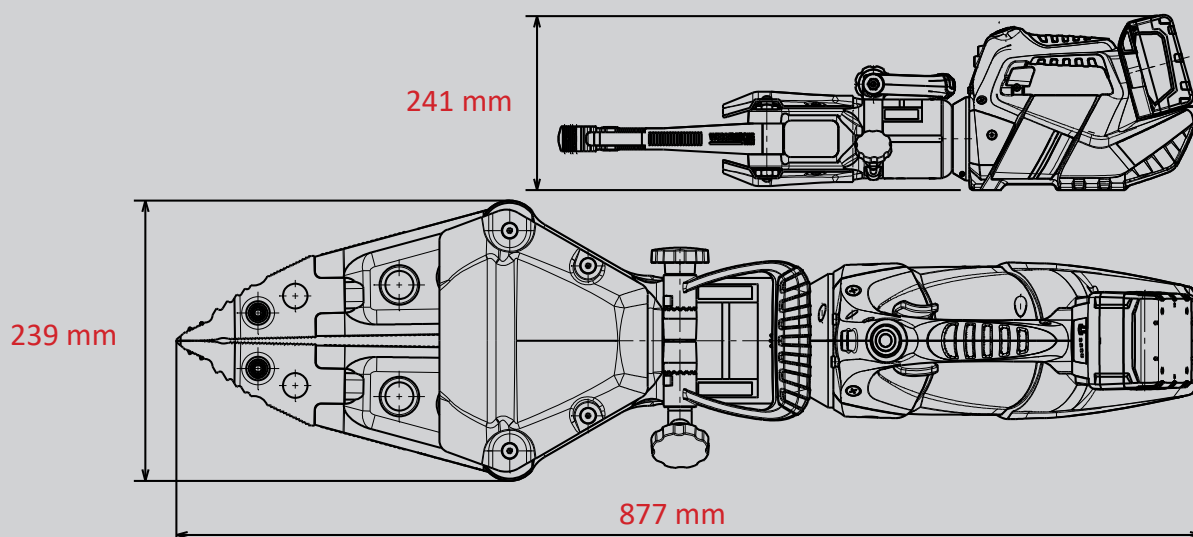


360° HANDLE

## E FORCE 3

### Technical specifications:

Spreading width	610 mm
Spreading force (in the working area)	44 - 857 kN
Max. crushing force	149,0 kN
Pulling width	465 mm
Max. pulling force	68,0 kN
Weight (incl. battery)	17,3 kg
Dimensions (LxWxH)	877 x 239 x 241 mm
Nominal pressure	700 bar
EN classification (EN 13204)*	AS44/610-17,3



\*According to En 13204. Images are non-binding. We reserve the right to technical modifications.  
60004877 (-, -, ALL, 21.01.2020)

WEBER-HYDRAULIK GMBH  
Heilbronner Straße 30  
74363 Güglingen/Germany  
Tel +49 7135/71-10270  
Fax +49 7135/71-10396  
info@weber-rescue.com

Emil Weber Platz 1  
4460 Losenstein/Austria  
Tel +43 7255/6237-120  
Fax +43 7255/6237-12461  
info@weber-rescue.com

**WEBER RESCUE**  
SYSTEMS  
www.weber-rescue.com